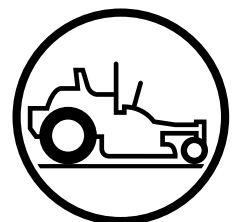


# Parts Manual

LZ25 / 968999772

LZ30 / 968999776

Please read the operator's manual carefully and make sure you understand the instructions before using the machine.

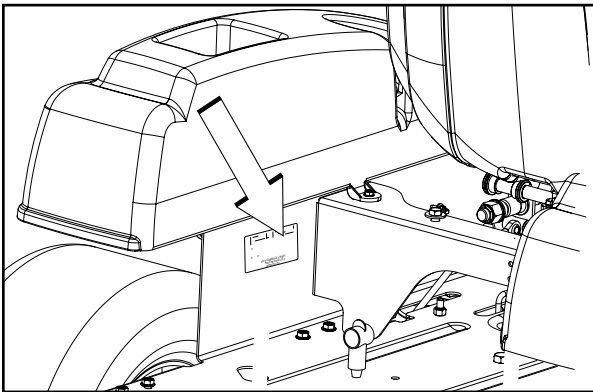


**English**

When you need spare parts or support in service questions, warranty issues, etc., please consult the following professional:

This Parts Manual belongs to the machine with the manufacturing number:	Engine	Transmission

### Manufacturing Number



*The machine's manufacturing number can be found on the printed plate affixed to the engine compartment. Illustration at left shown with engine removed.*

Stated on the plate, from the top are:

- The machine's type designation (I.D.).
- The manufacturer's type number (Model).
- The machine's serial number (Serial no.)

*Please have the type designation and serial number available when ordering spare parts.*

The engine's manufacturing number is stamped on one of the valve covers.

The plate states:

- The engine's model.
- The engine's type.
- Code

*Please have these available when ordering spare parts.*

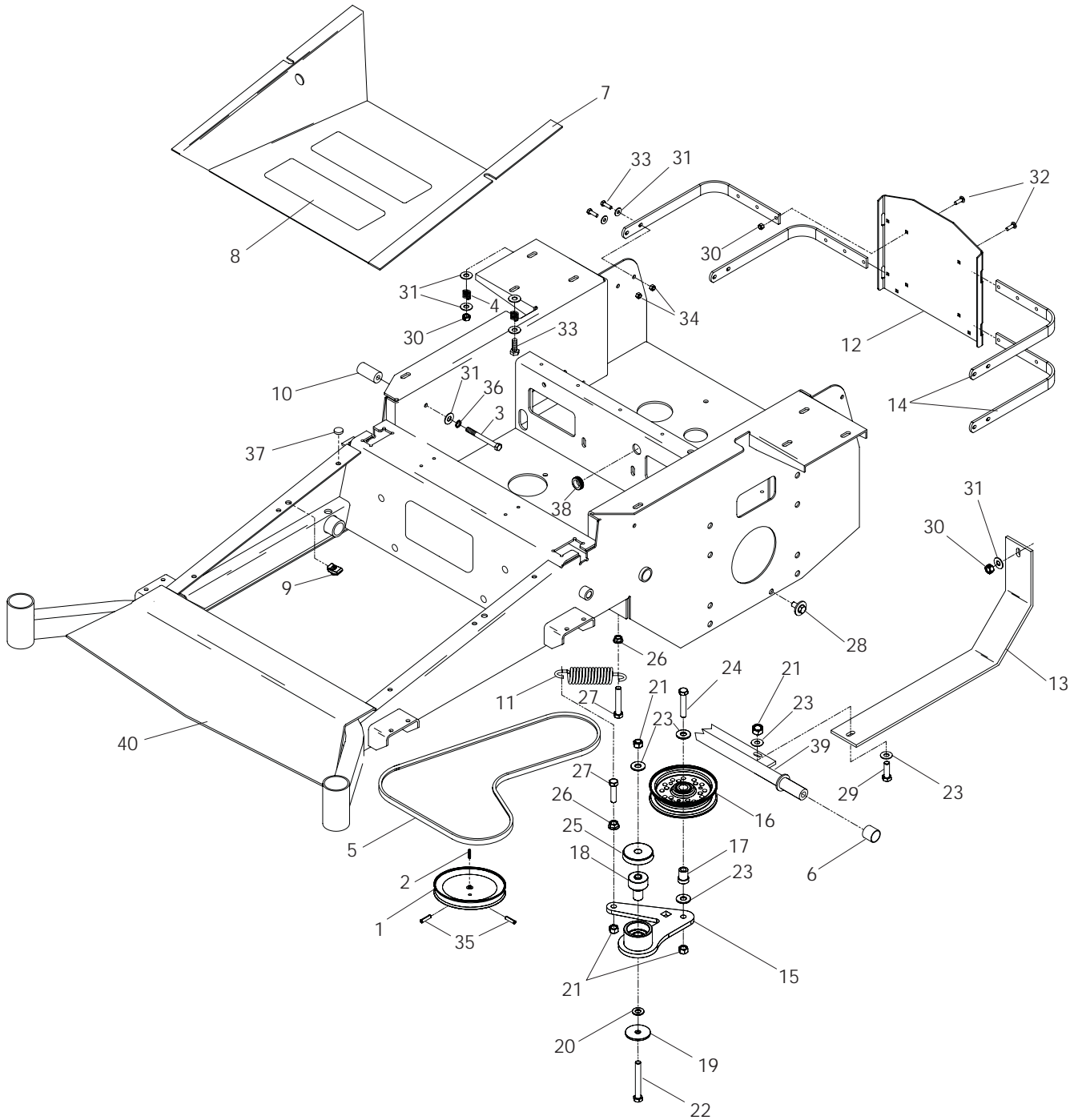
The wheel motors and hydrostatic pumps have a barcode decal affixed at the rear.

# CONTENTS

<b>SECTION</b>	<b>PAGE</b>	<b>SECTION</b>	<b>PAGE</b>
CHASSIS / FRAME .....	4	WHEELS AND TIRES .....	18
ENGINE PLATE		MOWER LIFT / DECK LIFT.....	20
KOHLER ENGINE .....	6	FUEL SYSTEM.....	22
KAWASAKI ENGINE .....	8	SEAT .....	24
STEERING .....	10	DEBRIS SHIELD .....	26
IGNITION SYSTEM.....	12	DECALS .....	28
PARKING BRAKE .....	14	ROPS .....	30
HYDRAULIC PUMP-MOTOR.....	16	SCHEMATICS .....	32

NOTE: ALL FASTENERS ARE GRADE 5 UNLESS OTHERWISE SPECIFIED.

# CHASSIS / FRAME



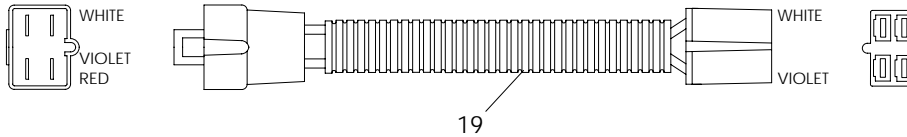
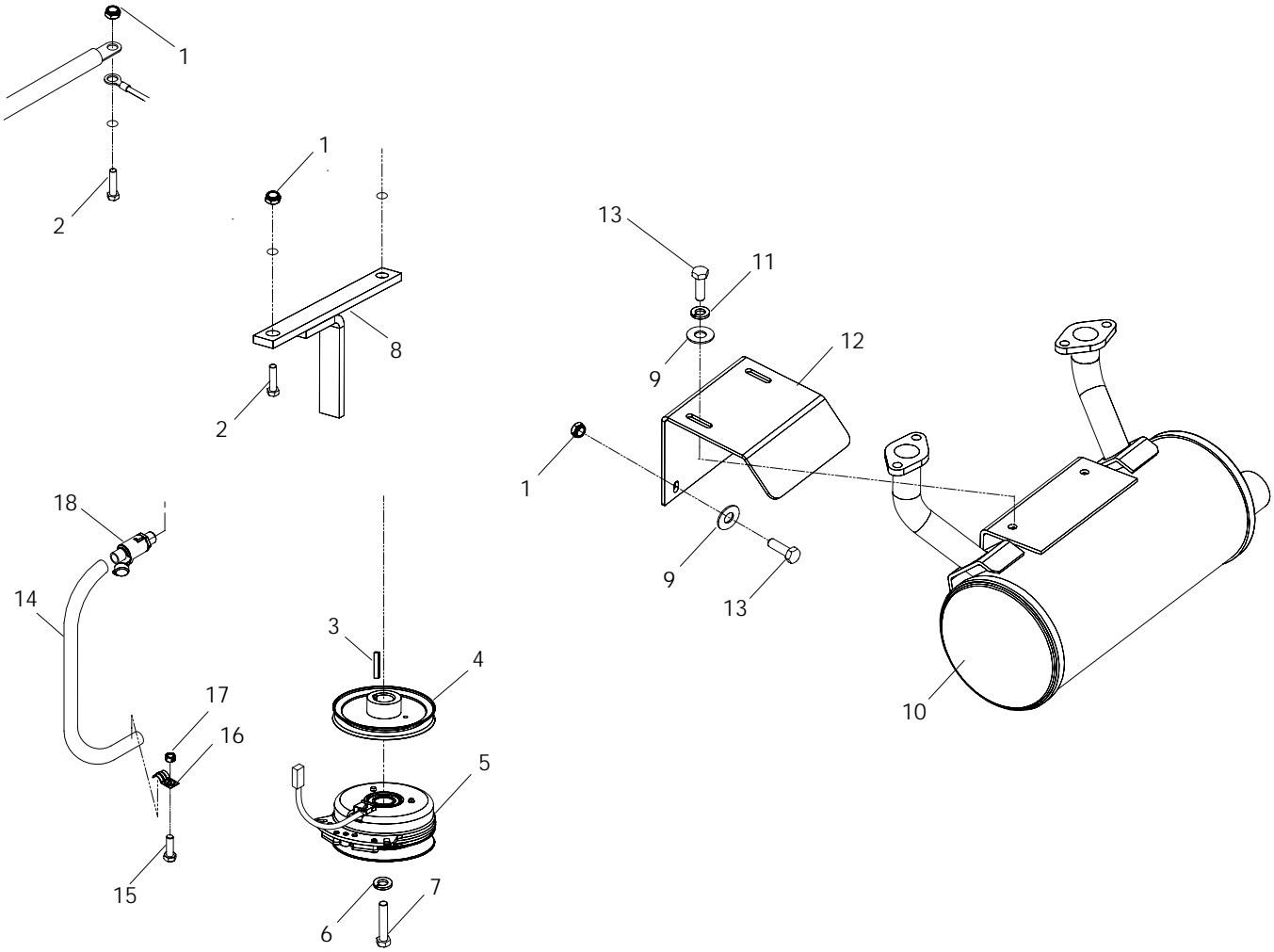
# CHASSIS / FRAME

---

ITEM	PART NO.	QTY.	DESCRIPTION	ITEM	PART NO.	QTY.	DESCRIPTION
1..	539 101176....2	....	PULLEY	23..	539 990517....3	....	WASHER $\frac{3}{8}$ FLAT STD
2..	539 101177....2	....	KEY	24..	539 990588....1	....	HCS $\frac{3}{8}$ -16 x 2
3..	539 102335....2	....	HCS $\frac{5}{16}$ -18 x 4	25..	539 114662....1	....	SHIELD, DUST
4..	539 102845....8	....	SPRING-FUEL TANK	26..	539 990613....1	....	NUT $\frac{3}{8}$ -16 HEX WHIZLK
5..	539 104334....1	....	BELT-PUMP	27..	539 990655....1	....	HCS $\frac{3}{8}$ -16 x $1\frac{1}{2}$
6..	539 104521....2	....	SPACER, STRUT	28..	539 119007....2	....	BLADE BOLT/WASHER
7..	539 104721....1	....	FOOT PLATE	29..	539 990563....6	....	HCS $\frac{3}{8}$ -16 x 1
8..	539 977778....3	....	PAD, ANTI-SKID	30..	539 990184....4	....	NUT $\frac{5}{16}$ -18 HEX CTRLK
9..	539 104763....4	....	RETAINER, $\frac{5}{16}$ -18 U-TYPE	31..	539 990692..28	....	WASHER $\frac{5}{16}$ FLAT STE STD
10..	539 104897....2	....	SPACER-TANK	32..	539 990316..10	....	RHSNB $\frac{5}{16}$ -18 x $\frac{3}{4}$
11..	539 110655....1	....	SPRING	33..	539 990209..14	....	HCS $\frac{5}{16}$ -18 x 1
12..	539 110976....1	....	GUARD, BLACK	34..	539 990717....4	....	NUT $\frac{5}{16}$ -18 HEX NYLOC
13..	539 112634....2	....	SKID PLATE	35..	539 110631....2	....	ROLL PIN
14..	539 106961....4	....	STRAP, BLACK	36..	539 990187....4	....	WASHER $\frac{5}{16}$ LOCK
15..	539 130392....1	....	ARM, IDLER-W/BEARINGS	37..	539 102587..10	....	BUMPER
16..	539 976688....1	....	PULLEY, IDLER HD	38..	539 110433....1	....	GROMMET FUEL LINE
17..	539 976695....1	....	BUSHING, IDLER FLANGE	39..	539 132302....1	....	CROSS SHAFT STRUT
18..	539 130205....1	....	PIVOT BEARING	40..	539 132232....1	....	FRAME W/DECALS
19..	539 111897 ....1	....	WASHER, $\frac{3}{8}$ SPECIAL	NOT SHOWN			
20..	539 990122....1	....	WASHER, $\frac{3}{8}$ SAE FLT	539 112981....1	....	DECK STOP	
21..	539 976979....3	....	NUT $\frac{3}{8}$ -16 HEX NYLOC	539 107476 ...2	....	BOLT $\frac{3}{8}$ -16 x 1 THD FRM	
22..	539 101341....1	....	HCS $\frac{3}{8}$ -16 x 3				

# ENGINE PLATE

## KOHLER ENGINE



# ENGINE PLATE

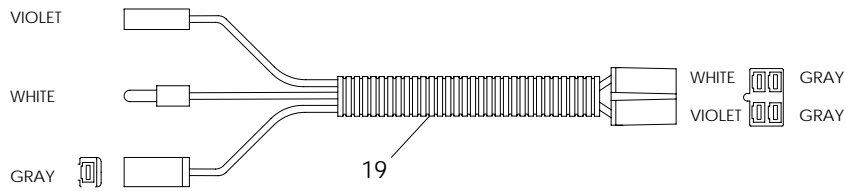
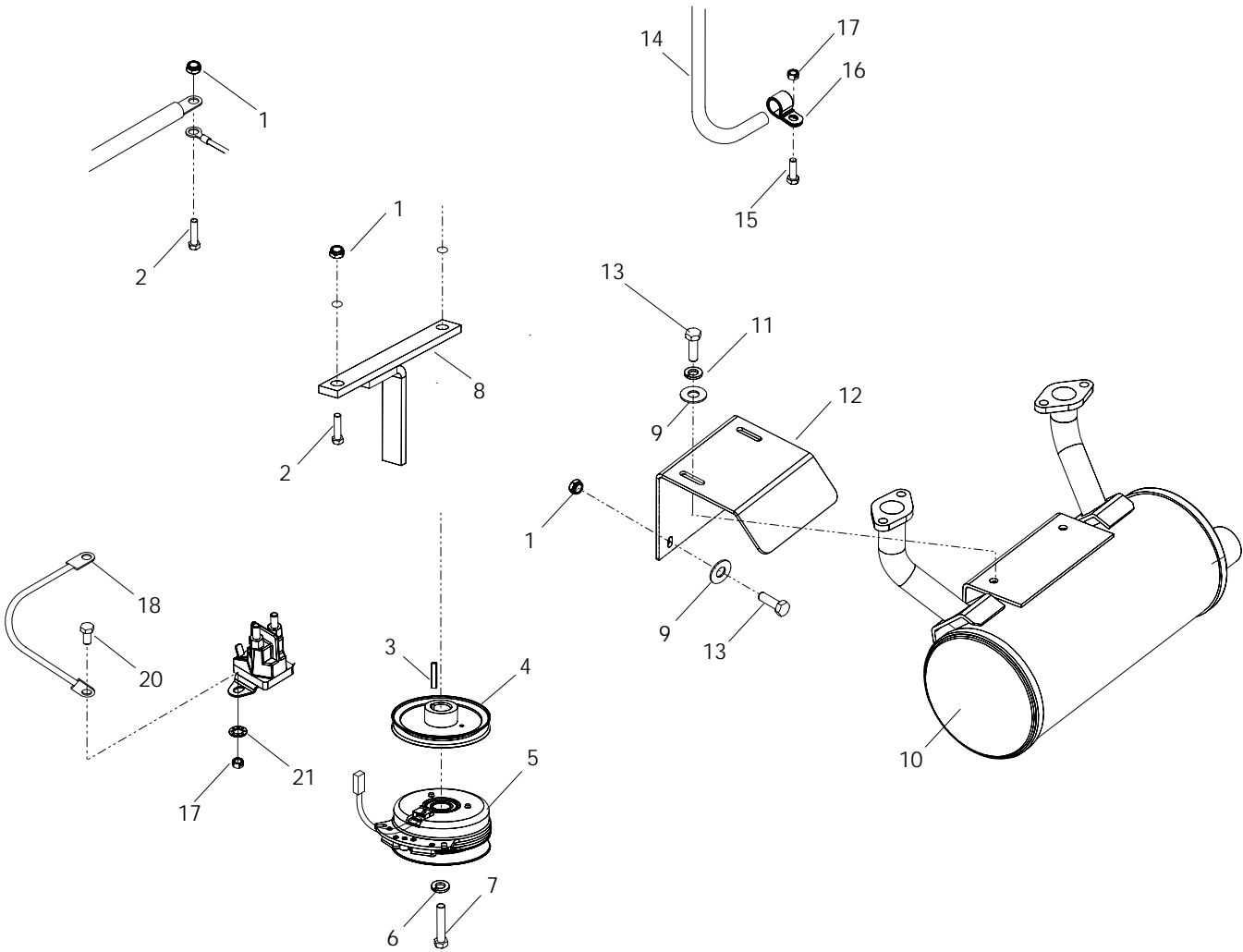
---

## KOHLER ENGINE

ITEM	PART NO.	QTY.	DESCRIPTION	ITEM	PART NO.	QTY.	DESCRIPTION
1..	539 990717....4	....	NUT $\frac{5}{16}$ -18 HEX NYLOC	11..	539 990187....2	....	LOCK WASHER $\frac{5}{16}$
2..	539 990669....4	....	HCS $\frac{5}{16}$ X $1\frac{3}{4}$	12..	539 111093....1	....	BRACKET MUFFLER
3..	539 100152....1	....	KEY	13..	539 990209....4	....	HCS $\frac{5}{16}$ -18 X 1
4..	539 106057....1	....	PULLEY	14..	539 107937....1	....	OIL DRAIN HOSE
5..	539 105406....1	....	CLUTCH	15..	539 990580....1	....	HCS $\frac{1}{4}$ -20 X $\frac{3}{4}$
6..	539 990247....1	....	WASHER, $\frac{7}{16}$ LOCK	16..	539 101363....1	....	CLAMP
7..	539 991120....1	....	HCS $\frac{7}{16}$ X $2\frac{1}{2}$	17..	539 990761....1	....	NUT $\frac{1}{4}$ -20 CNTRLOCK
8..	539 106819....1	....	CLUTCH TIE DOWN	18..	539 110093....2	....	OIL DRAIN FITTING
9..	539 990692....2	....	WASHER, $\frac{5}{16}$ FLAT	19..	539 104416....1	....	PIGTAIL
10..	539 105896....1	....	MUFFLER				

# ENGINE PLATE

## KAWASAKI ENGINE





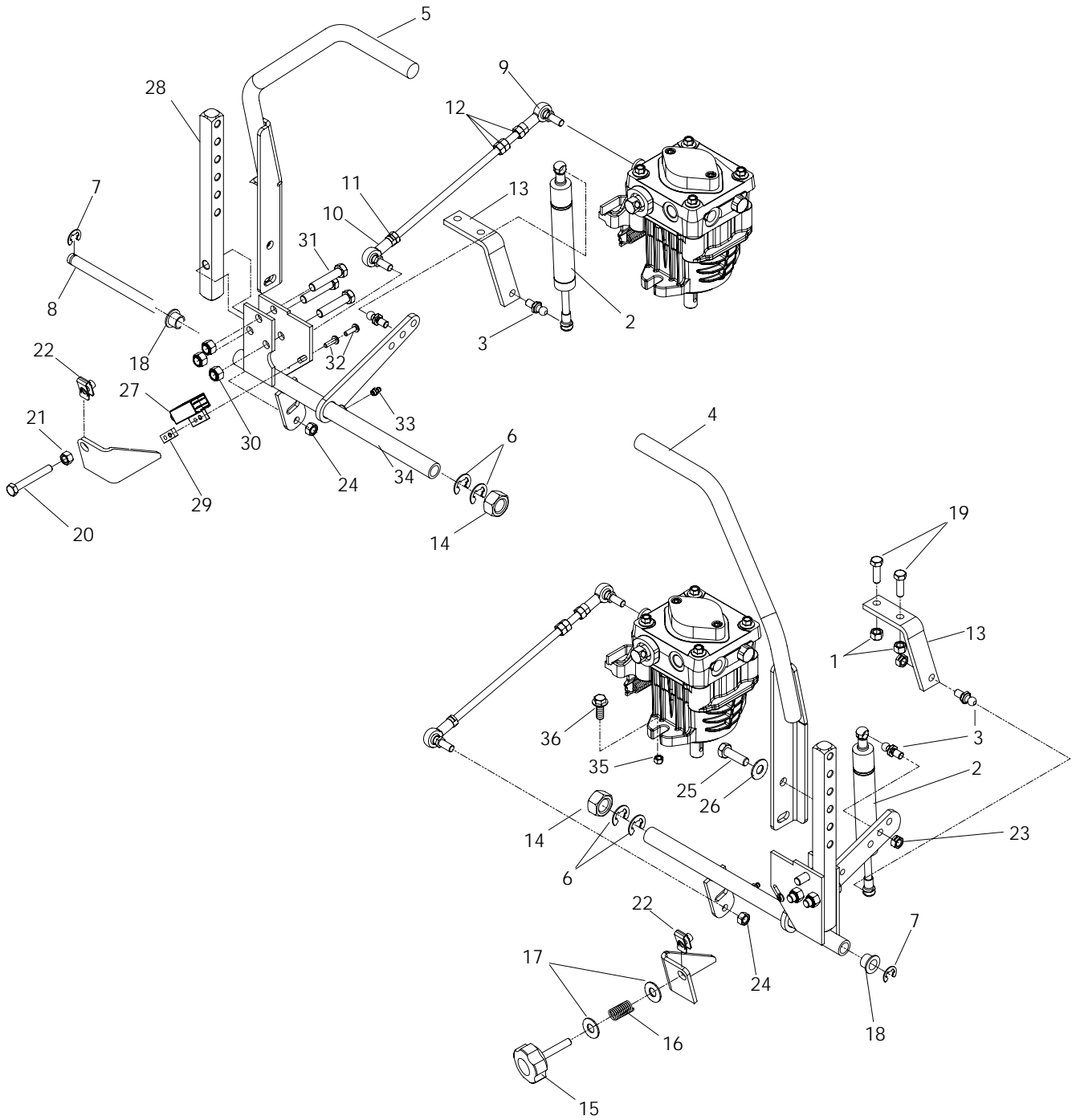
# ENGINE PLATE

---

## KAWASAKI ENGINE

ITEM	PART NO.	QTY.	DESCRIPTION	ITEM	PART NO.	QTY.	DESCRIPTION
1..	539 990717....4	....	NUT $\frac{5}{16}$ -18 HEX NYLOC	12..	539 111093....1	....	BRACKET MUFFLER
2..	539 990669....4	....	HCS $\frac{5}{16}$ X $1\frac{3}{4}$	13..	539 990209....4	....	HCS $\frac{5}{16}$ -18 X 1
3..	539 100152....1	....	KEY	14..	539 107937....1	....	OIL DRAIN HOSE
4..	539 106057....1	....	PULLEY	15..	539 990580....1	....	HCS $\frac{1}{4}$ -20 X $\frac{3}{4}$
5..	539 105406....1	....	CLUTCH	16..	539 102685....1	....	CLAMP
6..	539 990247....1	....	WASHER $\frac{7}{16}$ LOCK	17..	539 990761....3	....	NUT $\frac{1}{4}$ -20 CNTRLOCK
7..	539 991120....1	....	HCS $\frac{7}{16}$ X $2\frac{1}{2}$	18..	539 105409....1	....	GROUND WIRE
8..	539 106819....1	....	CLUTCH TIE DOWN	19..	539 104415....1	....	PIGTAIL
9..	539 990692....2	....	WASHER $\frac{5}{16}$ FLAT	20..	539 990072....2	....	HCS $\frac{1}{4}$ -20 X $\frac{5}{8}$
10..	539 105897....1	....	MUFFLER	21..	539 990053....2	....	WASHER, $\frac{1}{4}$ INT TOOTH
11..	539 990187....2	....	WASHER $\frac{5}{16}$ LOCK				

# STEERING

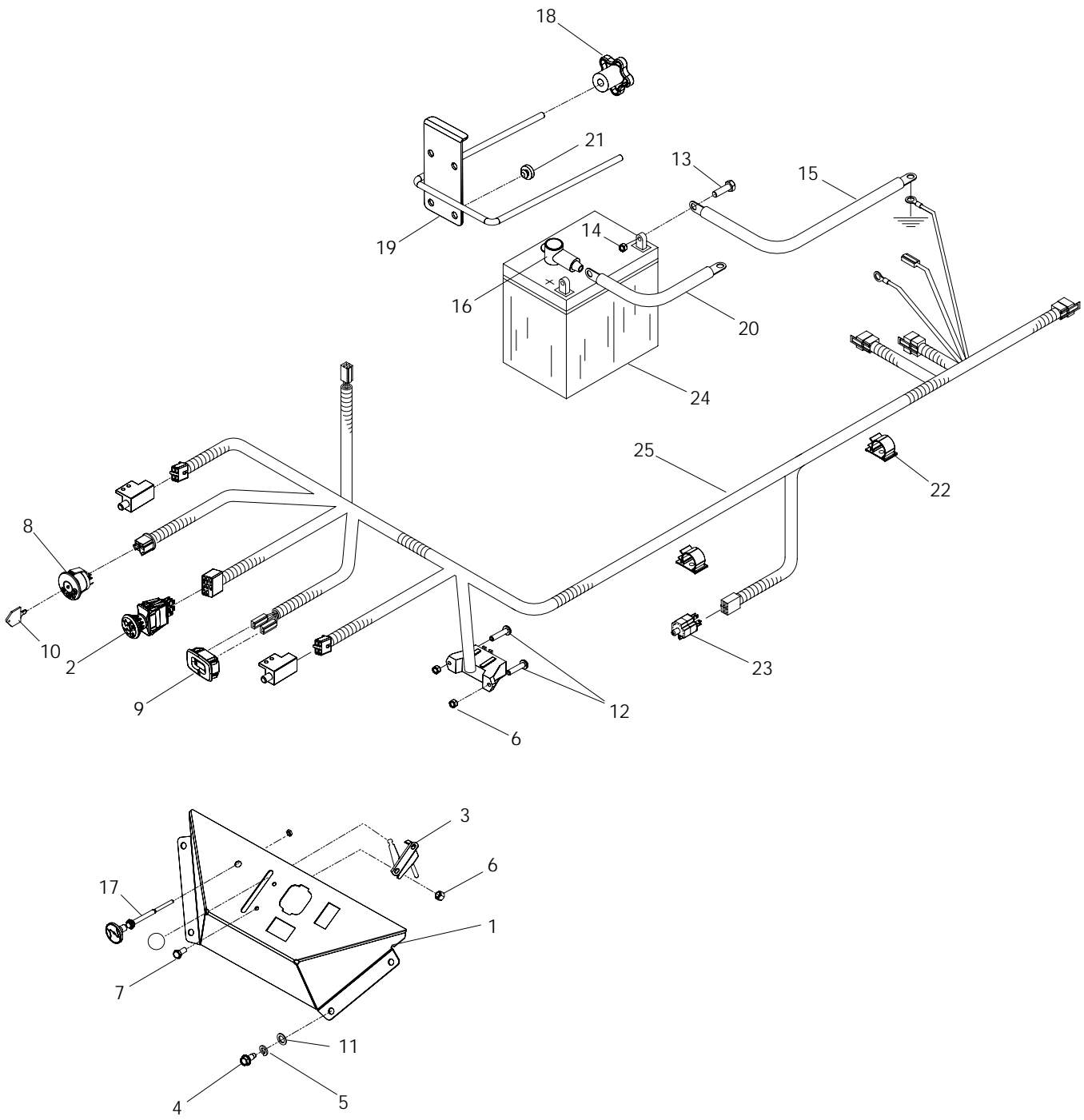


# STEERING

---

ITEM	PART NO.	QTY.	DESCRIPTION	ITEM	PART NO.	QTY.	DESCRIPTION
1..	539 990717....7	....	NUT <sup>5</sup> / <sub>16</sub> -18 HEX NYLOC	20..	539 108394....1	....	HCS <sup>5</sup> / <sub>16</sub> -18 x 1 <sup>3</sup> / <sub>4</sub> TPBLT
2..	539 131932....2	....	DAMPENER	21..	539 990196....1	....	NUT <sup>5</sup> / <sub>16</sub> -18 HEX
3..	539 110607....2	....	STUD, 10mm BALL	22..	539 104763....2	....	RETAINER, <sup>5</sup> / <sub>16</sub> -18 U-TYPE
4..	539 131622....1	....	CONTROL WLDMT LT	23..	539 990184....2	....	NUT <sup>5</sup> / <sub>16</sub> -18 HEX CTRLK
5..	539 131623....1	....	CONTROL WLDMT RT	24..	539 110943....4	....	NUT <sup>5</sup> / <sub>16</sub> -24 NYLOC
6..	539 105069....4	....	E-RING <sup>5</sup> / <sub>8</sub>	25..	539 990563....2	....	HCS <sup>3</sup> / <sub>8</sub> -16 x 1
7..	539 101949....2	....	E-RING <sup>1</sup> / <sub>2</sub>	26..	539 102593....2	....	WASHER <sup>3</sup> / <sub>8</sub> SPRING
8..	539 110833....1	....	CONTROL SHAFT	27..	539 101080....2	....	SWITCH-INTERLOCK 2P
9..	539 110604....1	....	SPHERICAL ROD END LH	28..	539 110638....1	....	ARM, CONTROL SHAFT
10..	539 110603....1	....	SPHERICAL ROD END RH	29..	539 102678....1	....	TAPPED PLATE
11..	539 991073....1	....	NUT <sup>5</sup> / <sub>16</sub> -24 HEX JAM LH	30..	539 976979....3	....	NUT <sup>3</sup> / <sub>8</sub> -16 HEX NYLOC
12..	539 990223....1	....	NUT <sup>5</sup> / <sub>16</sub> -24 HEX	31..	539 990730....3	....	HCS <sup>3</sup> / <sub>8</sub> -16 x 1 <sup>3</sup> / <sub>4</sub>
13..	539 111074....2	....	BRACKET DAMPENER	32..	539 976952....2	....	SCREW 10-24 x .625
14..	539 990820....2	....	NUT <sup>3</sup> / <sub>4</sub> -16 HEX	33..	539 976998....1	....	ZERK
15..	539 103003....1	....	KNOB	34..	539 130702....1	....	CONTROL-DRIVE, LT
16..	539 111039....1	....	SPRING		539 130701....1	....	CONTROL- DRIVE, RT
17..	539 990692....4	....	WASHER, <sup>5</sup> / <sub>16</sub> FLAT	35..	539 990546....4	....	NUT <sup>3</sup> / <sub>8</sub> -16 HEX CTR LK
18..	539 102519....2	....	BUSHING	36..	539 990582....4	....	HCS <sup>3</sup> / <sub>8</sub> -16 x 1 WHIZLK
19..	539 990209....4	....	HCS <sup>5</sup> / <sub>16</sub> -18 x 1				

# IGNITION SYSTEM

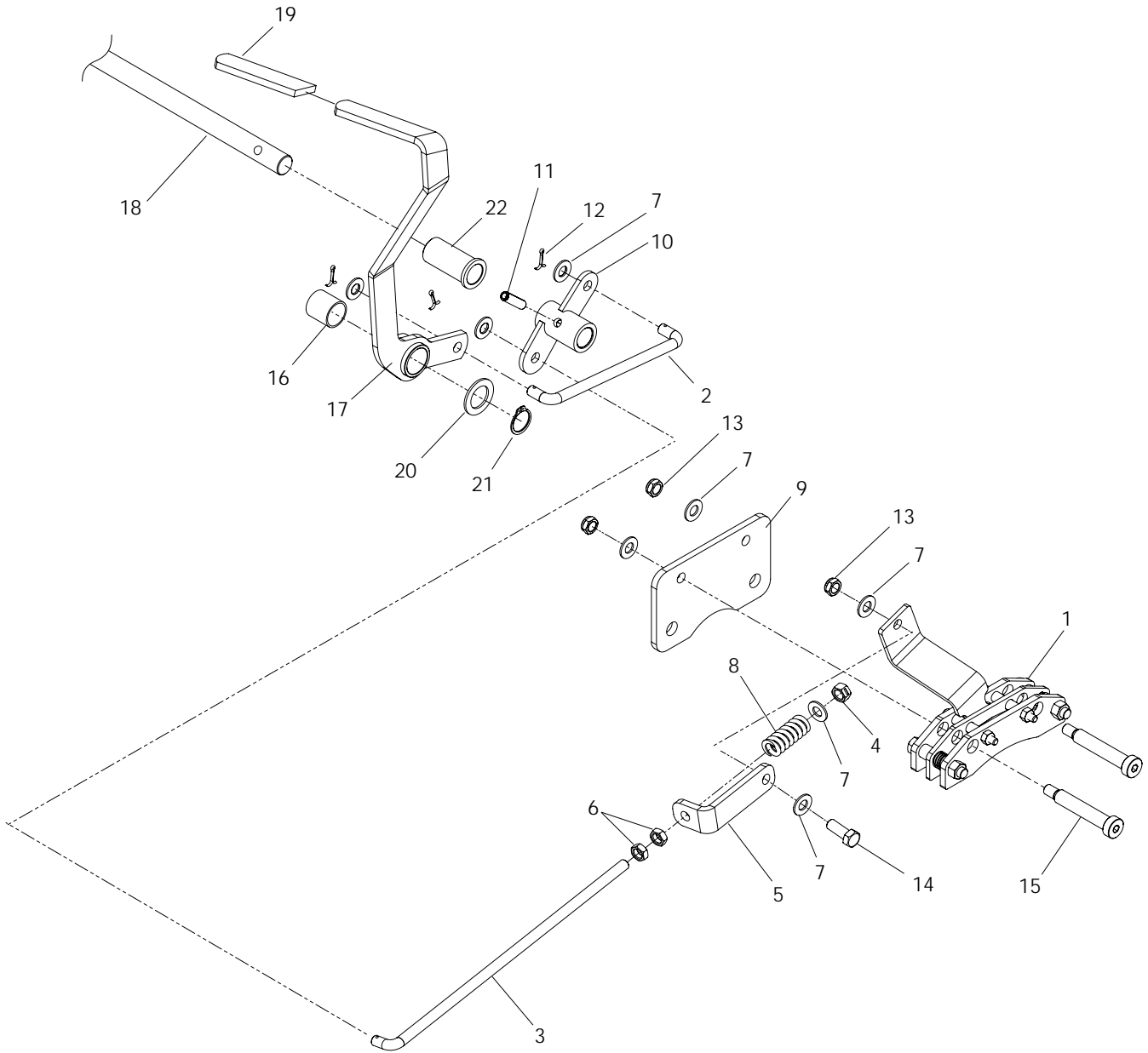


# IGNITION SYSTEM

---

ITEM	PART NO.	QTY.	DESCRIPTION	ITEM	PART NO.	QTY.	DESCRIPTION
1..	539 110953	....1	.... CONSOLE	15..	539 102758	....1	.... CABLE, NEGATIVE
2..	539 131627	....1	.... SWITCH, PTO 10 AMP	16..	539 102759	....2	.... INSULATOR-BATTERY
3..	539 102732	....1	.... THROTTLE CABLE	17..	539 130208	....1	.... CHOKE CNTRL / LZ25 ONLY
4..	539 990362	....4	.... SCREW ¼-20 x 5/8	18..	539 105169	....1	.... KNOB
5..	539 990052	....4	.... WASHER, ¼ SPLIT LOCK	19..	539 105728	....1	.... HOLD DOWN, BATTERY
6..	539 976977	....2	.... NUT #10-24 HEX NYLOC	20..	539 104974	....1	.... CABLE, POSITIVE / LZ25
7..	539 990411	....2	.... HCS #10-24 x ½		539 102757	....1	.... CABLE, POSITIVE / LZ30
8..	539 107541	....1	.... IGNITION SWITCH	21..	539 102587	....4	.... BUMPER
9..	539 110074	....1	.... HOUR METER	22..	539 110815	....2	.... WIRE CLIP PUSH-MOUNT
10..	539 107544	....1	.... KEY, IGNITION	23..	539 113792	....1	.... SWITCH, BRAKE
11..	539 990598	....4	.... WASHER, ¼ FLAT	24..	539 102436	....1	.... BATTERY, DRY
12..	539 102617	....2	.... SCREW #10-24 x 7/8 SLT HD	25..	539 113791	....1	.... HARNESS
13..	539 976934	....2	.... HCS 5/16-18 x ¾				
14..	539 990717	....2	.... NUT 5/16-18 HEX NYLOC				

# PARKING BRAKE

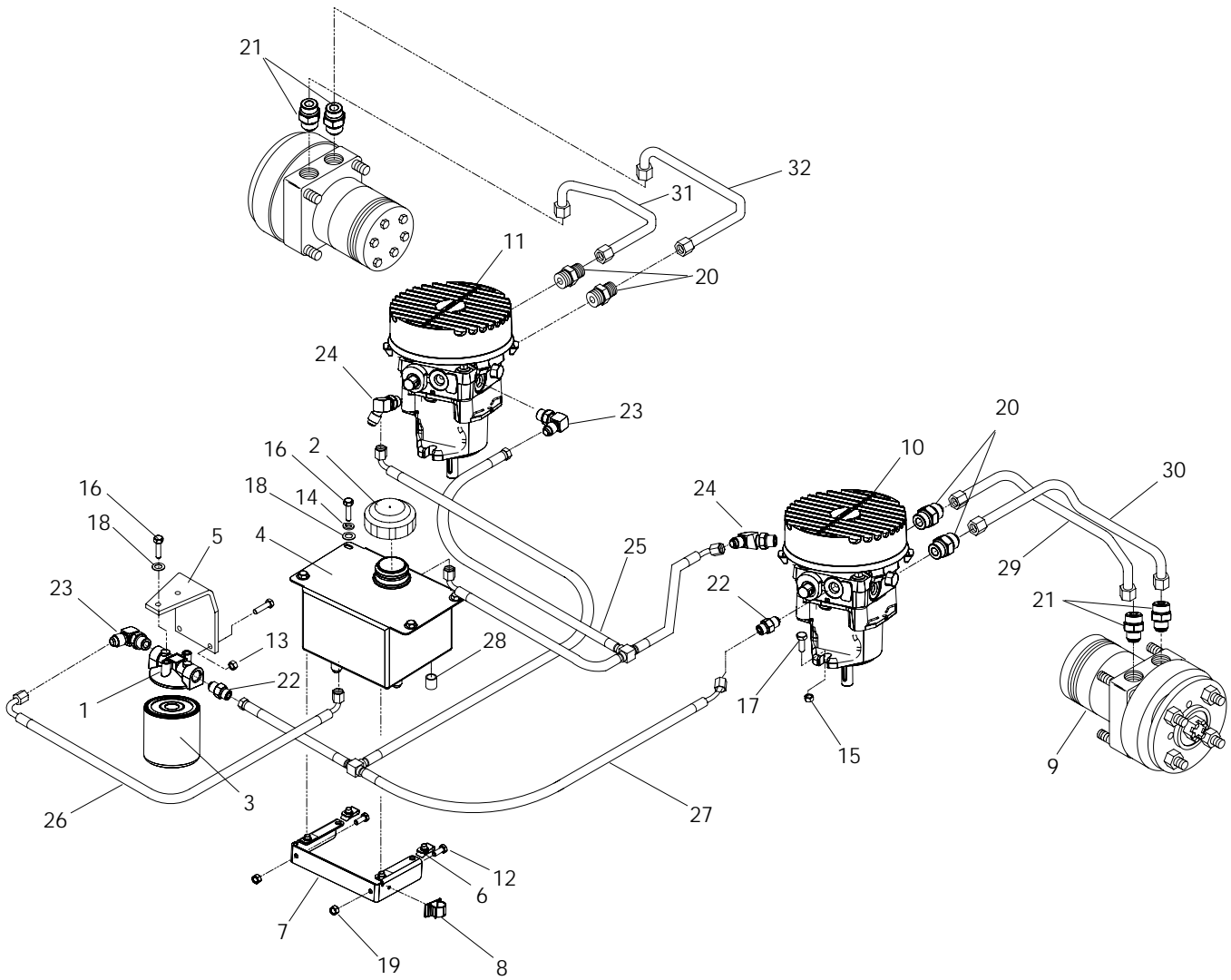


# PARKING BRAKE

---

ITEM	PART NO.	QTY.	DESCRIPTION	ITEM	PART NO.	QTY.	DESCRIPTION
1..	539 133047	....2	.... CALIPER, PARK BRAKE	12..	539 990037	....3	.... COTTER PIN
2..	539 113947	....1	.... LINKAGE, BRAKE	13..	539 200282	....6	.... NUT $\frac{3}{8}$ -16 HEX JAM NYLOC
3..	539 113949	....1	.... LINKAGE, REAR BRAKE	14..	539 990563	....2	.... HCS $\frac{3}{8}$ -16 x 1
4..	539 990289	....2	.... NUT $\frac{3}{8}$ -24 HEX CTRLK	15..	539 113951	....4	.... SB $\frac{3}{8}$ -16 x 2 SKT HD
5..	539 113950	....2	.... BRACKET L	16..	539 108619	....1	.... BUSHING
6..	539 108732	....2	.... NUT $\frac{3}{8}$ -24 HEX JAM	17..	539 108616	....1	.... LEVER, BRAKE
7..	539 990122	..14	.... WASHER, $\frac{3}{8}$ SAE FLT	18..	539 110624	....1	.... CROSS SHAFT
8..	539 113952	....1	.... SPRING	19..	539 105036	....1	.... GRIP, BRAKE HANDLE
9..	539 113948	....2	.... PLATE, BRAKE	20..	539 923787	....2	.... BUSHING
10..	539 113946	....1	.... BELLCRANK, BRAKE	21..	539 101151	....1	.... RETAINER RING
11..	539 110631	....1	.... ROLL PIN	22..	539 113479	....1	.... BUSHING, $\frac{3}{4}$ x 2

# HYDRAULIC PUMP-MOTOR



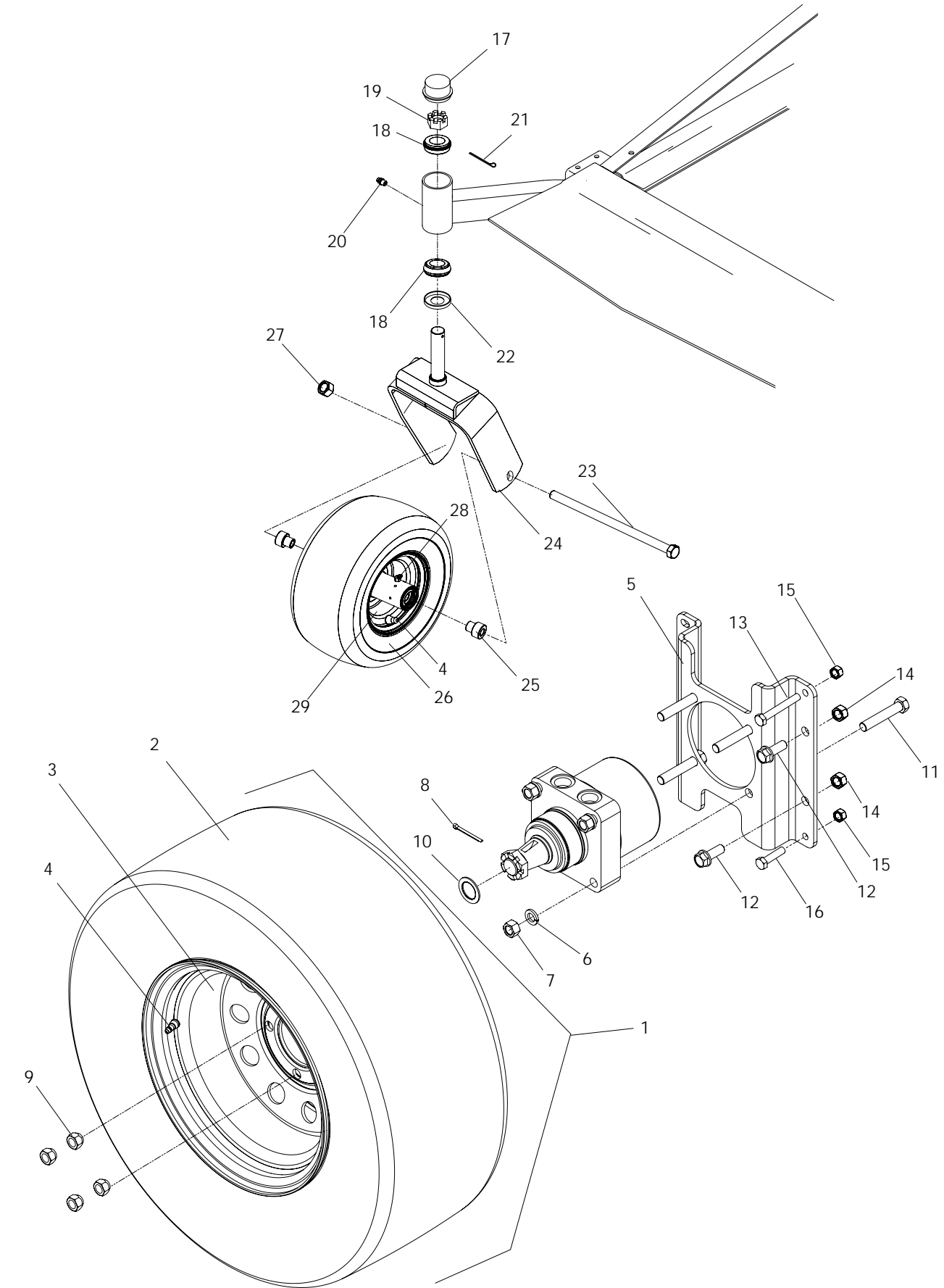


# HYDRAULIC PUMP-MOTOR

---

ITEM	PART NO.	QTY.	DESCRIPTION	ITEM	PART NO.	QTY.	DESCRIPTION
1..	539 101165....	1	FILTER HEAD	17..	539 990582....	4	HCS 3/8-16 x 1 WHIZLK
2..	539 101202....	1	CAP HYDRO TANK	18..	539 990598....	4	WASHER 1/4 FLAT
3..	539 102606....	1	FILTER	19..	539 990717....	2	NUT 5/16-18 HEX NYLOC
4..	539 105024....	1	OIL TANK	20..	539 101237....	4	FITTING STRAIGHT
5..	539 106933....	1	FILTER BRACKET	21..	539 102396....	4	FITTING STRAIGHT
6..	539 110813....	4	RETAINER 1/4-20 U-TYPE	22..	539 113782....	2	FITTING STRAIGHT
7..	539 110814....	1	TANK MOUNT	23..	539 101238....	2	FITTING ELBOW
8..	539 110815....	1	WIRE CLIP PUSH-MOUNT	24..	539 132316....	2	FITTING ELBOW
9..	539 110823....	2	TI15 WHEEL MOTOR	25..	539 132290....	1	"T" ASSEM RETURN
10..	539 132142....	1	PUMP 10cc W/FAN LEFT	26..	539 132288 ...	1	TANK HOSE
11..	539 132143....	1	PUMP 10cc W/FAN RIGHT	27..	539 132289 ...	1	"T" ASSEM SUPPLY
12..	539 976934....	2	HCS 5/16-18 x 3/4	28..	539 105168....	1	CAP
13..	539 976978....	2	NUT 1/4-20 HEX NYLOC	29..	539 132284....	1	HYDRAULIC LINE
14..	539 990052....	2	WASHER, 1/4 SPLIT LOCK	30..	539 132285....	1	HYDRAULIC LINE
15..	539 990546....	4	NUT 3/8-16 HEX CTR LK	31..	539 132286....	1	HYDRAULIC LINE
16..	539 990580....	8	HCS 1/4-20 x 3/4	32..	539 132287....	1	HYDRAULIC LINE

# WHEELS AND TIRES

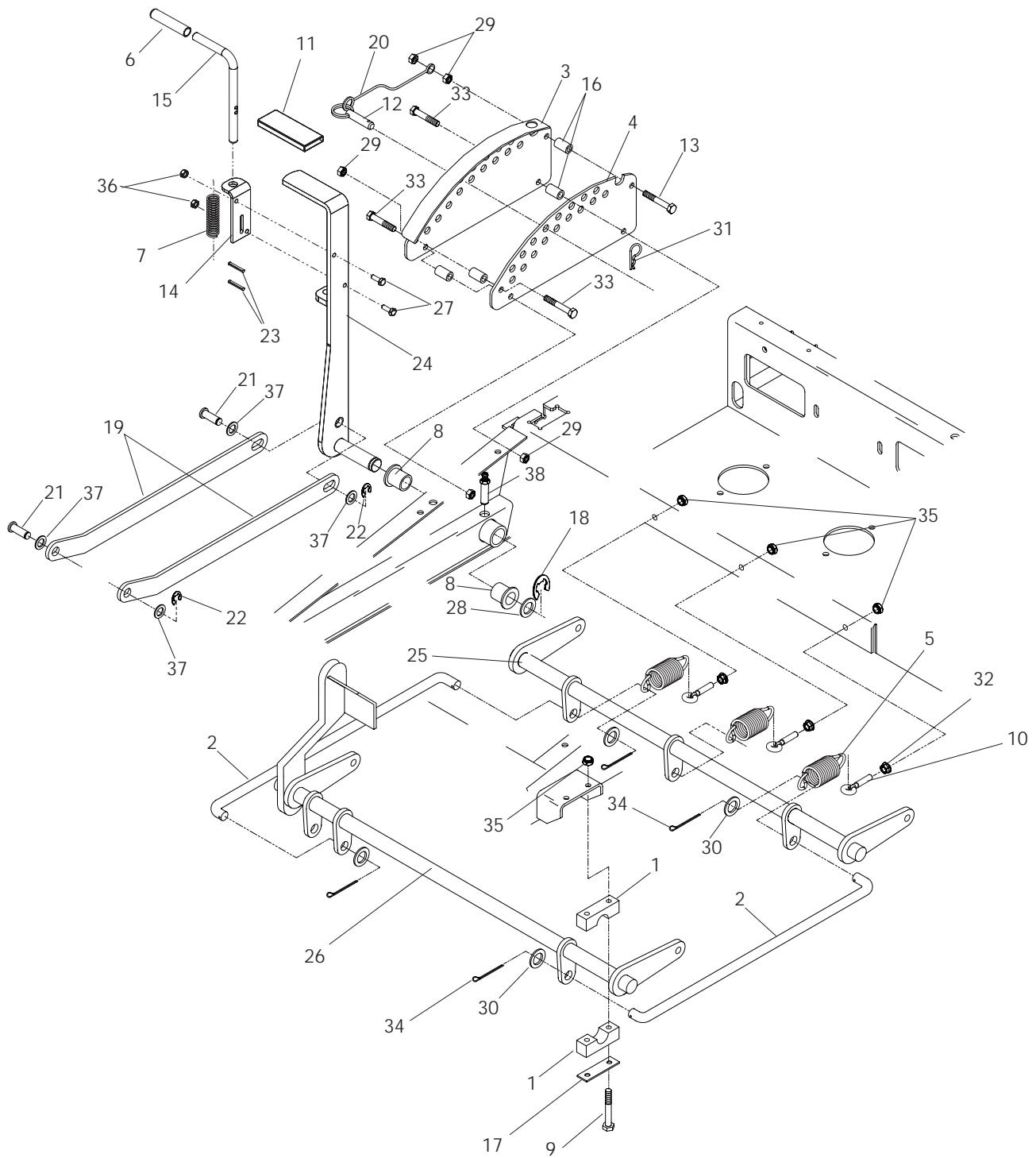


# WHEELS AND TIRES

---

ITEM	PART NO.	QTY.	DESCRIPTION	ITEM	PART NO.	QTY.	DESCRIPTION
1..	539 112592....	2	TIRE ASSEM, RR 23 x 9.5-12	16..	539 976941....	4	HCS 3/8-16 x 1 1/4
2..	539 112599....	2	TIRE RR	17..	539 102535....	2	CAP GREASE
3..	539 107392....	2	RIM RR	18..	539 102543....	4	BEARING-ROLLER
4..	539 912234....	4	VALVE	19..	539 102852....	2	NUT 1-14 SLOTTED JAM
5..	539 132300....	2	MOUNT WHEEL MOTOR	20..	539 101474....	2	ZERK
6..	539 990254....	4	WASHER, 1/2 SPLT LOCK	21..	539 102889....	2	COTTER PIN
7..	539 990258....	4	NUT 1/2-13 HEX	22..	539 102851....	2	SEAL
8..	539 104288....	1	COTTER PIN	23..	539 105517....	2	HCS 1/2-13 x 9 1/2
9..	539 101173....	4	LUG NUT 1/2	24..	539 105982....	2	YOKE, CASTER
10..	539 916561....	1	BUSHING, 1 x 14 GA	25..	539 105518....	4	SPACER, AXLE
11..	539 101332....	4	HCS 1/2-13 x 2 3/4	26..	539 105521....	2	WHEEL ASSEM, CASTER
12..	539 990622....	8	BOLT 1/2-13 x 1 1/4 WHIZLK	27..	539 101331....	2	NUT 1/2-13 HEX NYLOC
13..	539 990629....	4	HCS 3/8-16 x 2 1/4	28..	539 103300....	2	ZERK
14..	539 101331....	8	NUT 1/2-13 HEX	29..	539 105523....	2	RIM
15..	539 976979....	8	NUT 3/8-16 HEX NYLOC				

# MOWER LIFT / DECK LIFT

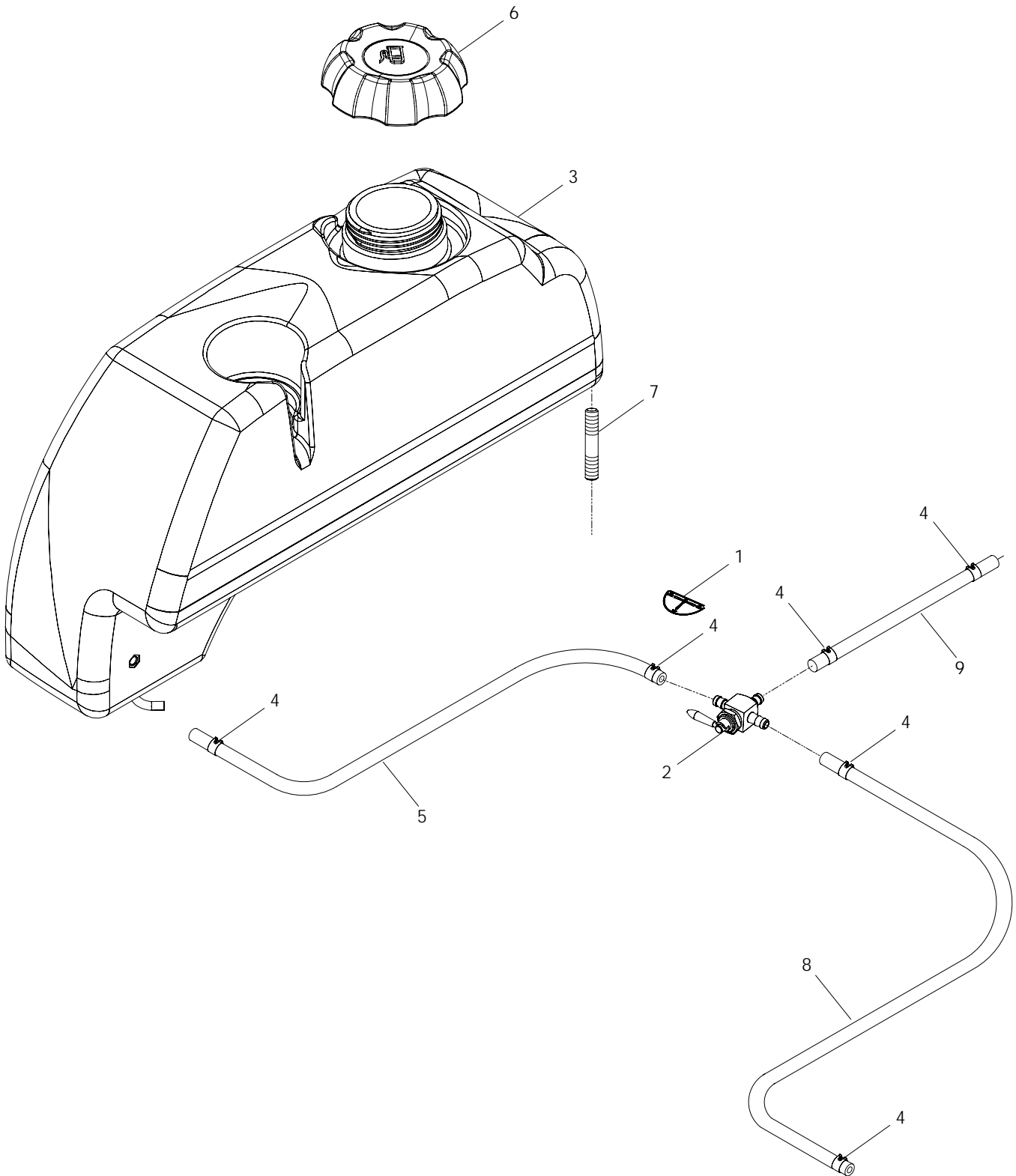


# MOWER LIFT / DECK LIFT

---

ITEM	PART NO.	QTY.	DESCRIPTION	ITEM	PART NO.	QTY.	DESCRIPTION
1..	539 104808....8	....	PILLOW BLOCK	19..	539 105050....2	....	LIFT LINKAGE
2..	539 104310....2	....	LINK-CONNECTING	20..	539 105059....1	....	LANYARD
3..	539 104321....1	....	ADJUSTMNT PLATE, OUTER	21..	539 105060....2	....	CLEVIS PIN <sup>5</sup> / <sub>8</sub>
4..	539 104323....1	....	ADJUSTMNT PLATE, INNER	22..	539 105069....2	....	E-RING, <sup>5</sup> / <sub>8</sub>
5..	539 104760....2	....	SPRING-EXTENTION COMBI DECK	23..	539 106532....2	....	PIN, GROOVED
	539 104760 ...3	....	SPRING-EXTENTION TUNNEL DECK	24..	539 108322....1	....	LIFT LEVER
6..	539 101050....1	....	GRIP, VINYL	25..	539 108354....1	....	LIFT SHAFT WLDMT REAR
7..	539 101058....1	....	SPRING, COMPRESSION	26..	539 132170....1	....	LIFT SHAFT WLDMT FRONT
8..	539 101232....2	....	FLANGE BUSHING	27..	539 990580....3	....	HCS <sup>1</sup> / <sub>4</sub> -20 x <sup>3</sup> / <sub>4</sub>
9..	539 101721....8	....	HCS <sup>5</sup> / <sub>16</sub> x 2 <sup>3</sup> / <sub>4</sub>	28..	539 923787....2	....	BUSHING
10..	539 101982....2	....	EYEBOLT <sup>5</sup> / <sub>16</sub> COMBI DECK	29..	539 976979....5	....	NUT <sup>3</sup> / <sub>8</sub> -16 HEX NYLOC
	539 101982 ...3	....	EYEBOLT <sup>5</sup> / <sub>16</sub> TUNNEL DECK	30..	539 976982....4	....	WASHER <sup>5</sup> / <sub>8</sub> SAE
11..	539 102515....1	....	CUSHION, HANDLE	31..	539 976989....1	....	PIN #4 HAIR
12..	539 102526....1	....	HITCH PIN	32..	539 990585....2	....	NUT <sup>5</sup> / <sub>16</sub> WHIZ COMBI DECK
13..	539 102612....3	....	HCS <sup>3</sup> / <sub>8</sub> x 2 <sup>3</sup> / <sub>4</sub>		539 990585 ...3	....	NUT <sup>5</sup> / <sub>16</sub> WHIZ TUNNEL DECK
14..	539 103534....1	....	PIN MOUNT UPPER	33..	539 990637....3	....	HCS <sup>3</sup> / <sub>8</sub> x 2 <sup>1</sup> / <sub>2</sub>
15..	539 104523....1	....	PIN, LOCKING	34..	539 990654....4	....	COTTER PIN
16..	539 104530....4	....	DECK LIFT SPACER	35..	539 990717....3	....	NUT <sup>5</sup> / <sub>16</sub> -18 HEX NYLOC
17..	539 104807....4	....	SUPPORT PLATE	36..	539 990761....2	....	NUT <sup>1</sup> / <sub>4</sub> -20 CNTRLOCK
18..	539 101802....1	....	E-RING, <sup>7</sup> / <sub>8</sub>	37..	539 991043....4	....	BUSHING
				38..	539 104761....1	....	ZERK, LONG

# FUEL SYSTEM

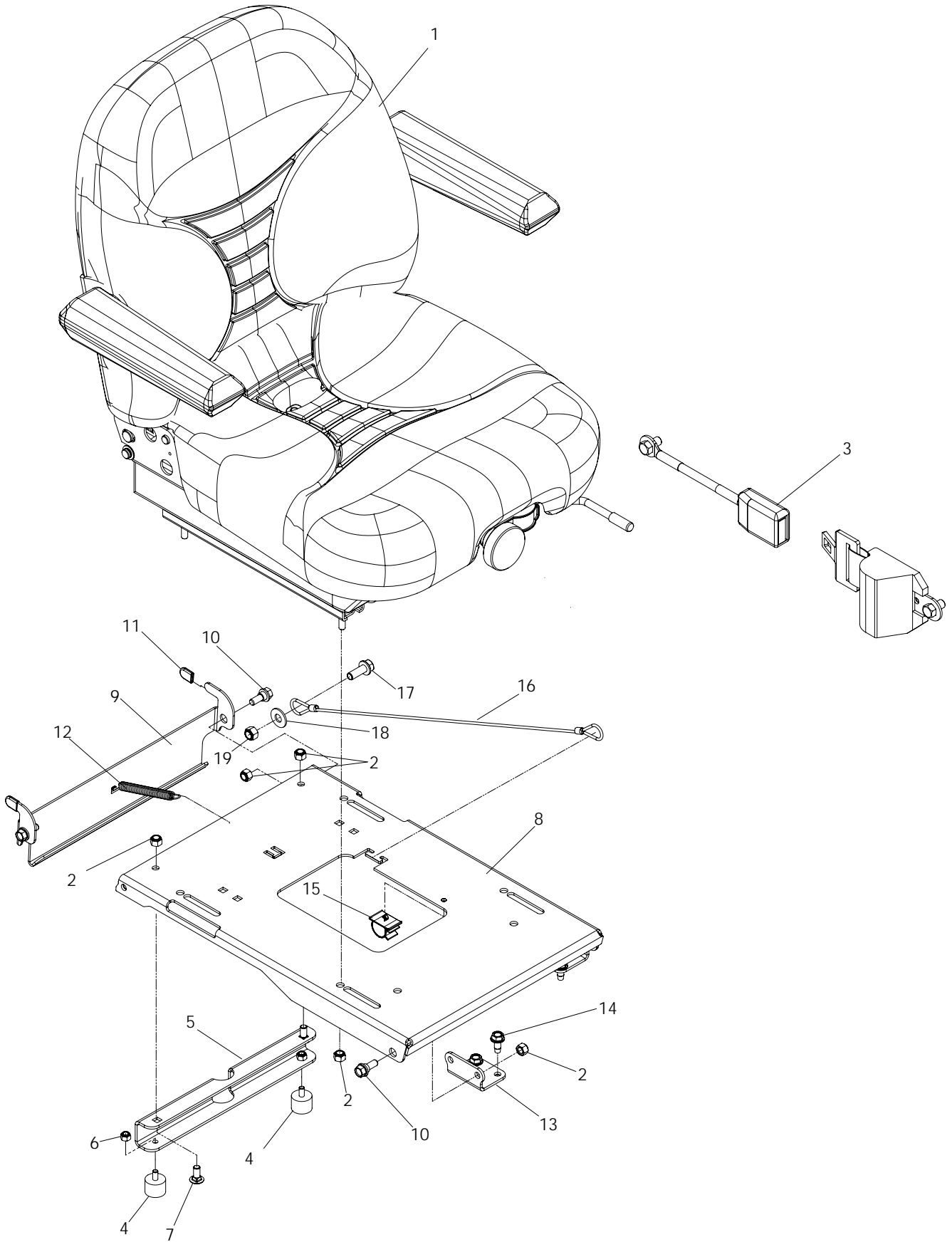


# FUEL SYSTEM

---

ITEM	PART NO.	QTY.	DESCRIPTION	ITEM	PART NO.	QTY.	DESCRIPTION
1..	539 102670....	1 ....	DECAL-FUEL VALVE	5..	539 922091....	1 ....	LINE, FUEL
2..	539 102679....	1 ....	VALVE-FUEL	6..	539 106188....	1 ....	CAP, FUEL
3..	539 104410....	1 ....	TANK-FUEL RIGHT	7..	539 102502....	6 ....	STUD
	539 104409 ...	1 ....	TANK-FUEL LEFT	8..	539 105280....	1 ....	LINE, FUEL
4..	539 912222....	6 ....	CLAMP-HOSE	9..	539 108212....	1 ....	LINE, FUEL

# SEAT



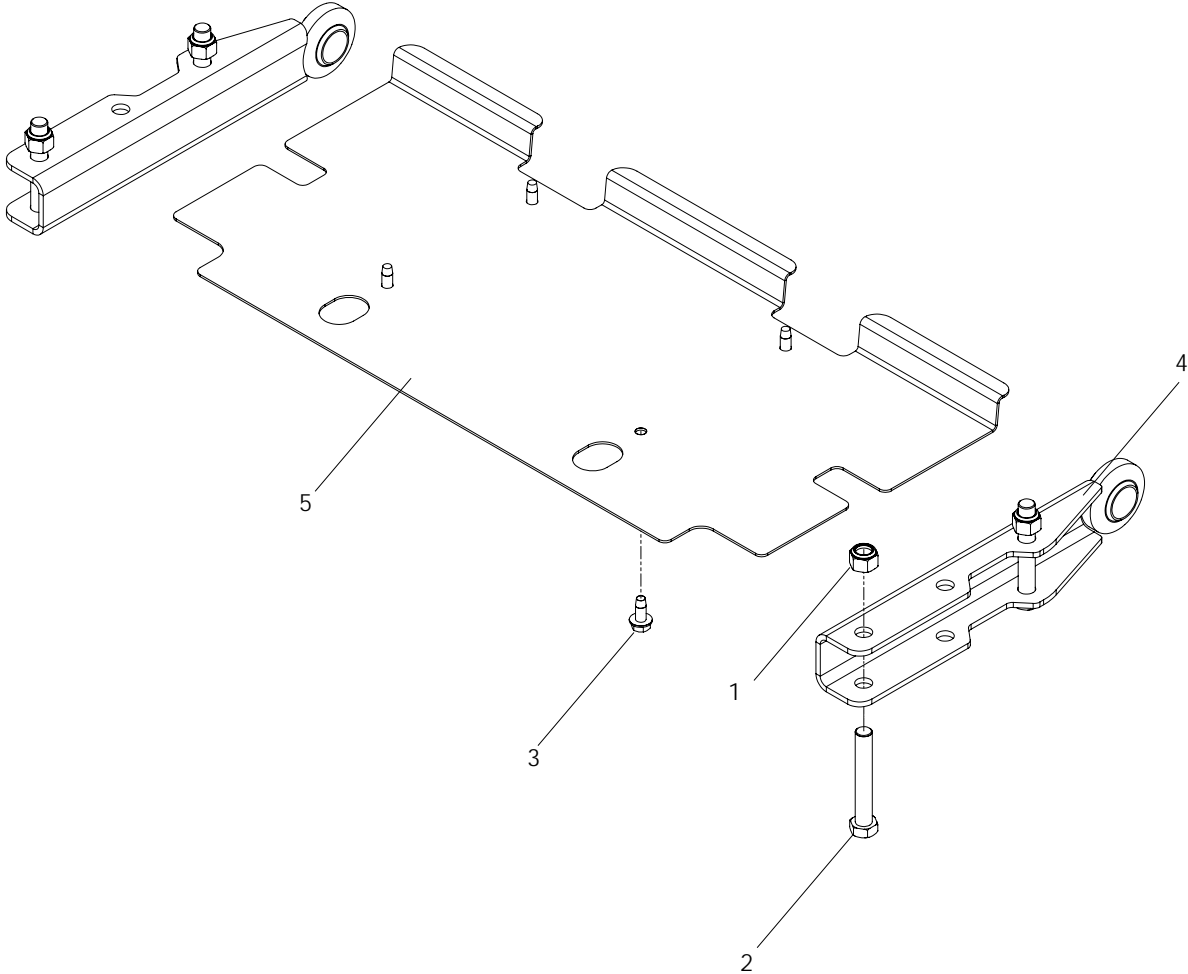


# SEAT

---

ITEM	PART NO.	QTY.	DESCRIPTION	ITEM	PART NO.	QTY.	DESCRIPTION
1..	539 132203....	1	.... SEAT	11..	539 130898....	2	.... GRIP, VINYL
2..	539 990717....	8	.... NUT $\frac{5}{16}$ -18 HEX NYLOC	12..	539 977250....	1	.... SPRING
3..	539 130359....	1	.... SEAT BELT-RETRACTABLE	13..	539 130789....	2	.... PIVOT SEAT PAN
4..	539 105039....	2	.... STUD PLATE MOUNT	14..	539 107475....	4	.... BOLT $\frac{5}{16}$ -18 x $\frac{3}{4}$ THD FRM
5..	539 132332....	1	.... STANDOFF, SEAT PAN	15..	539 110815....	1	.... WIRE CLIP PUSH-MOUNT
6..	539 976978....	2	.... NUT $\frac{1}{4}$ -20 HEX NYLOC	16..	539 103247....	1	.... SEAT LANYARD
7..	539 990316....	2	.... RHSNB $\frac{5}{16}$ -18 x $\frac{3}{4}$	17..	539 990582....	1	.... HCS $\frac{3}{8}$ -16 x 1 WHIZLK
8..	539 130785....	1	.... PAN, SEAT	18..	539 990517....	1	.... WASHER $\frac{3}{8}$ FLAT STD
9..	539 130787....	1	.... LATCH, SEAT	19..	539 976979....	1	.... NUT $\frac{3}{8}$ -16 HEX NYLOC
10..	539 130896....	4	.... SB $\frac{5}{16}$ -18 HEX HD				

# DEBRIS SHIELD

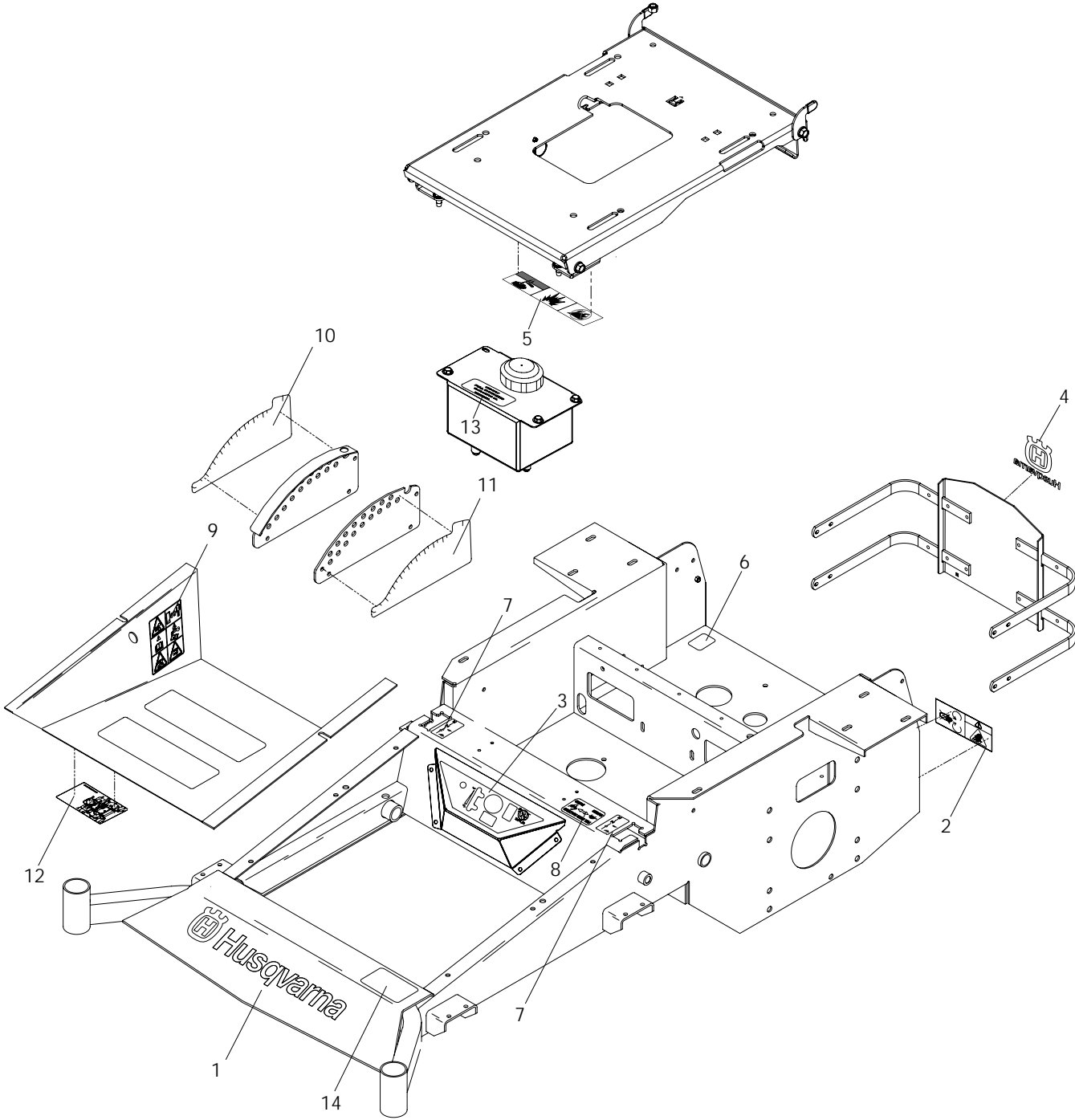


# DEBRIS SHIELD

---

ITEM	PART NO.	QTY.	DESCRIPTION	ITEM	PART NO.	QTY.	DESCRIPTION
1..	539 101331	...4	...NUT ½-13 HEX NYLOC	4..	539 112516	...2	...STRUT WELDMENT REAR
2..	539 103433	...4	...HCS ½-13 x 3¼	5..	539 112636	...1	...REAR DEBRIS SHIELD
3..	539 107475	...4	...BOLT 5/16-18 x ¾ THD FRM				

# DECALS

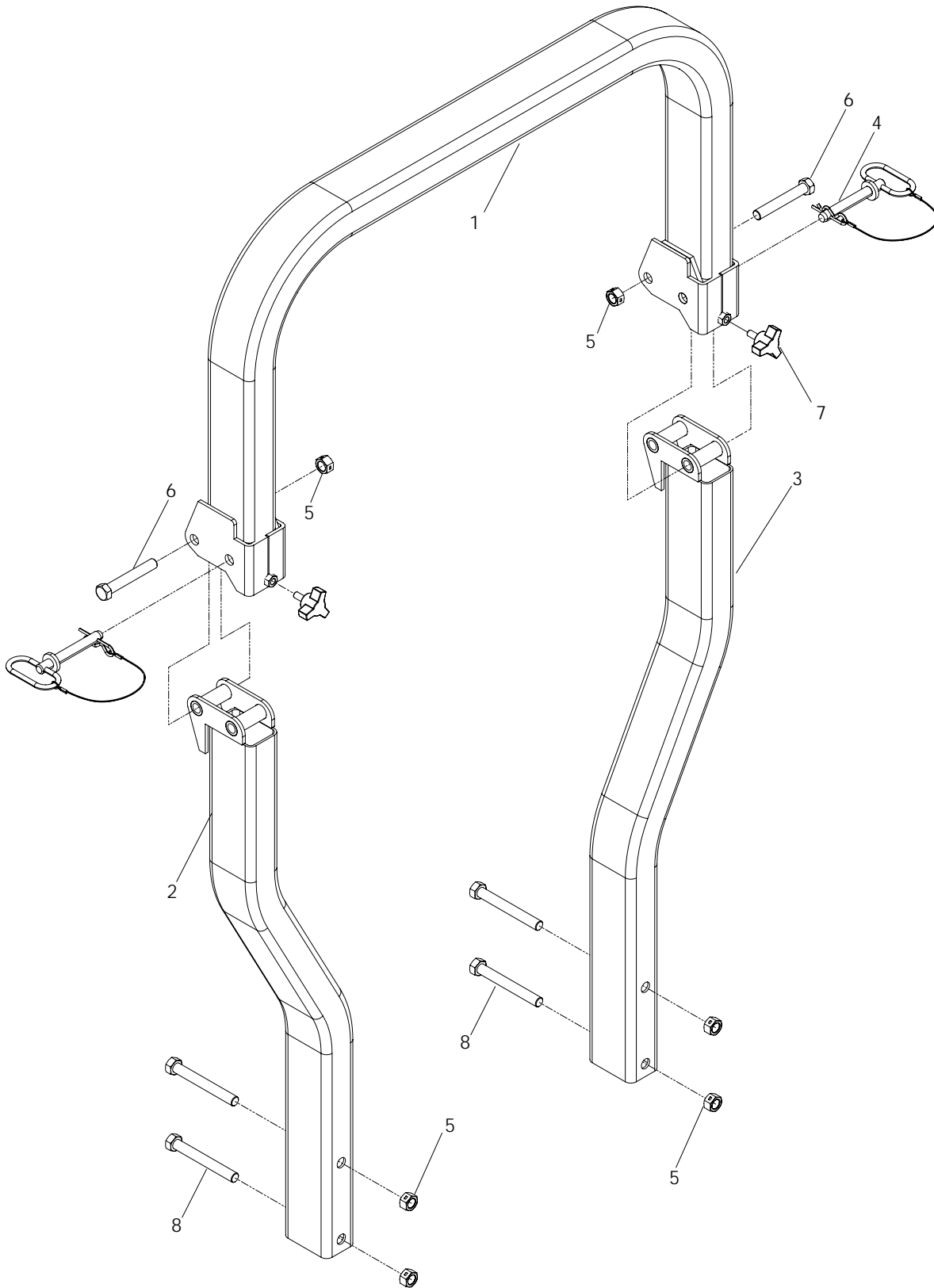


# DECALS

---

ITEM	PART NO.	QTY.	DESCRIPTION	ITEM	PART NO.	QTY.	DESCRIPTION
1..	539 111046	....1	....DECAL, HUSQ. 15" BLUE	12..	539 105011	....1	....DECAL, SERVICE
2..	539 105744	...1	...DECAL, DANGER	13..	539 114832	...1	...DECAL, OIL TANK
3..	539 110956	....1	....DECAL, CONSOLE	14..	539 112519	....1	....DECAL, LZ25
4..	539 111055	....1	....DECAL, HUSQ. SILVER		539 110259	....1	....DECAL, LZ30
5..	539 105745	...1	...DECAL, BATTERY WARNING	NOT SHOWN			
6..	539 101881	...1	...DECAL, PROP 65		539 100128	...1	...DECAL, EXHAUST
7..	539 103333	...2	...DECAL, MOTION CONTROL		539 110278	...1	...DECAL, 80 DVA, AUST
8..	539 110974	...2	...DECAL, TRACKING		539 110279	...1	...DECAL, EMC, AUST
9..	539 111575	....1	....DECAL, WARNING				
10..	539 104898	...1	...DECAL, HEIGHT				
11..	539 104899	...1	...DECAL, HEIGHT				

# PROTECTION FRAME



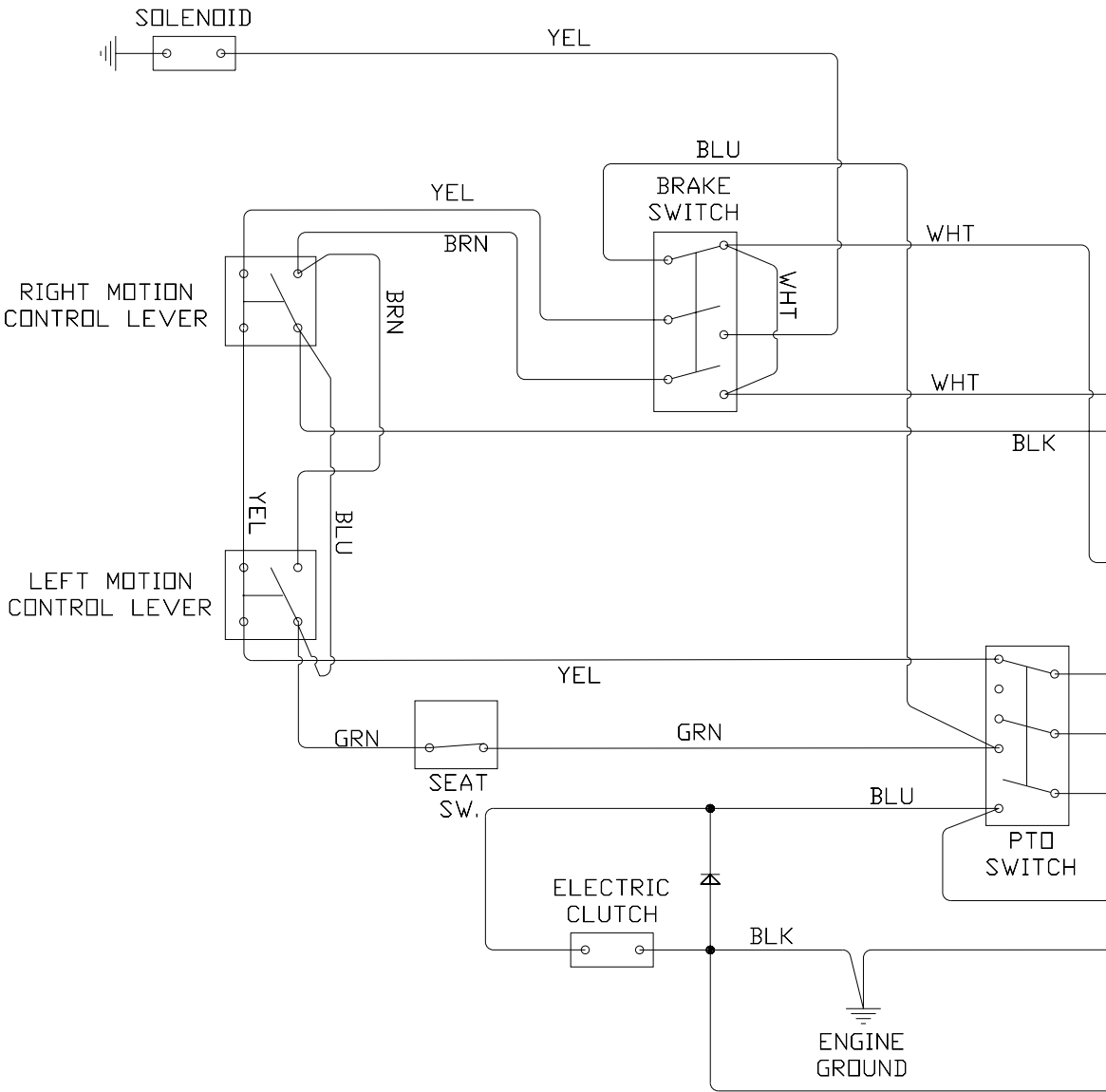
# PROTECTION FRAME

---

ITEM	PART NO.	QTY.	DESCRIPTION
1..	539 111079	....1 ....	TOP TUBE
2..	539 111080	....1 ....	SIDE TUBE, RT
3..	539 111081	....1 ....	SIDE TUBE, LT
4..	539 111036	....2 ....	PIN ½ W/LANYARD

ITEM	PART NO.	QTY.	DESCRIPTION
5..	539 200100	....6 ....	NUT ½-13 CENTERLOCK
6..	539 103433	....2 ....	HCS ½-13 x 3¼
7..	539 104411	....2 ....	KNOB W/STUD
8..	539 108366	....4 ....	HCS ½-13 x 4

# SCHEMATIC

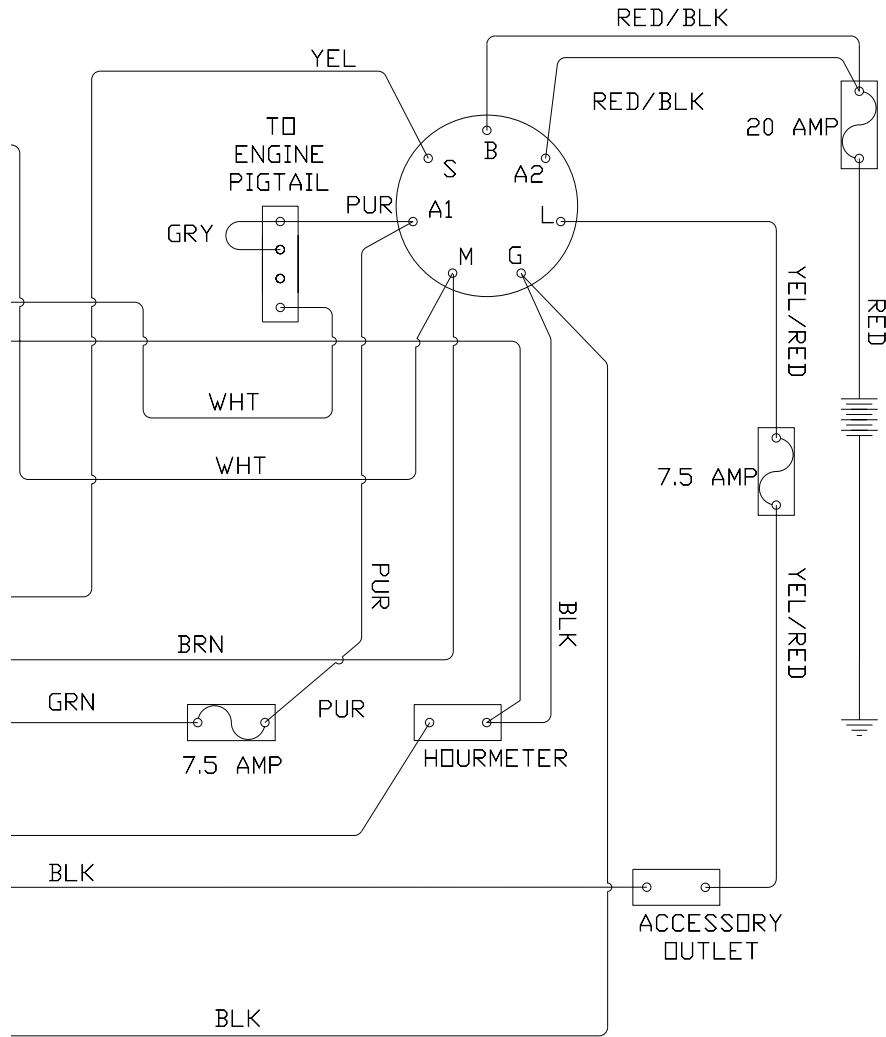




# SCHEMATIC

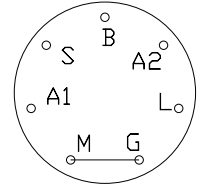
**NOTES:**

1. SEAT UNOCCUPIED
2. BRAKE SWITCH IN OFF POSITION
3. MOTION CONTROL LEVERS OUT
4. PTO IN OFF POSITION

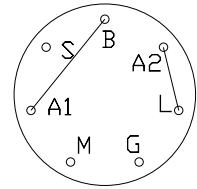


**KEY SWITCH POSITIONS**

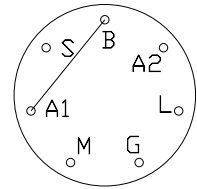
POSITION 1 - OFF



POSITION 2 - RUN1



POSITION 3 - RUN2



POSITION 4 - START

